

PLEASE CHECK WWW.MOLEX.COM FOR LATEST PART INFORMATION

Part Number: [0190770002](#)
Status: **Active**
Description: Avikrimp™ Star Ring Tongue Terminal for 18-22 AWG Wire, Stud Size 6, Mylar Tape Carrier

Documents:

[Drawing \(PDF\)](#) [RoHS Certificate of Compliance \(PDF\)](#)

Agency Certification

CSA LR18689
 UL E32244

General

Product Family Ring and Spade Terminals
 Series [19077](#)
 Crimp Quality Equipment Yes
 Mil-Spec N/A
 Product Name Avikrimp™
 Type Ring

Physical

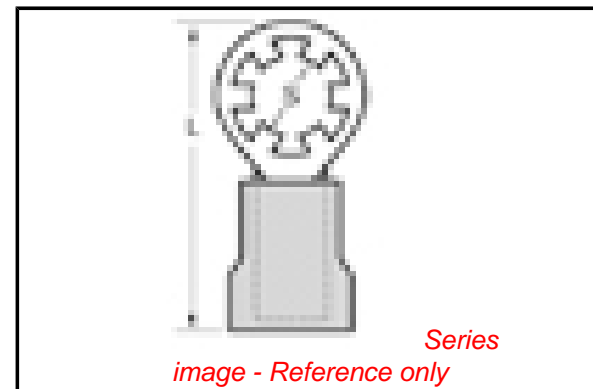
Barrel Type Closed
 Flammability 94V-0
 Insulation Nylon (PA)
 Material - Plating Mating Tin
 Packaging Type Adhesive Tape on Reel
 Plating min: Mating (µin) 100
 Plating min: Mating (µm) 2.5
 Plating min: Termination (µin) 100
 Plating min: Termination (µm) 2.5
 Stud Size 6 (M3.5)
 Termination Interface: Style Crimp or Compression
 Wire Insulation Diameter 3.51mm (.138") max.
 Wire Size AWG 18, 20, 22
 Wire Size mm² 0.25 - 1.30

Material Info

Old Part Number SRA-829-06T

Reference - Drawing Numbers

Sales Drawing SD-19077-001



EU RoHS

ELV and RoHS Compliant
REACH SVHC
 Not Reviewed
Halogen-Free Status
Not Reviewed

China RoHS



Need more information on product environmental compliance?

Email productcompliance@molex.com
 For a multiple part number RoHS Certificate of Compliance, [click here](#)

Please visit the [Contact Us](#) section for any non-product compliance questions.

Search Parts in this Series

[19077Series](#)

Application Tooling | [FAQ](#)

Tooling specifications and manuals are found by selecting the products below. Crimp Height Specifications are then contained in the Application Tooling Specification document.

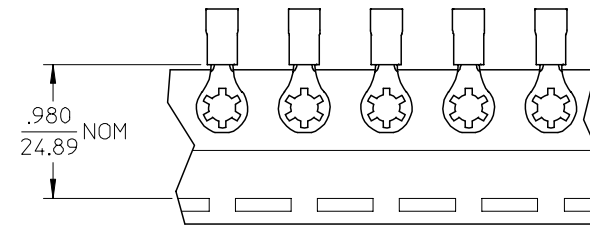
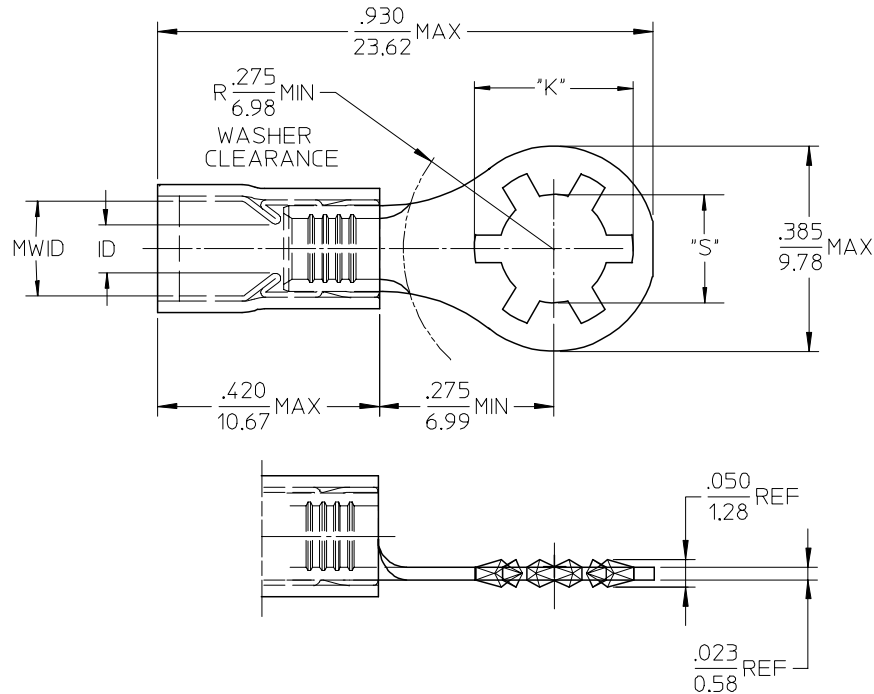
Global

Description	Product #
Crimp Dies for MTA-100 Tape Applicator used in 3BF Press, MTA-105 Tape Applicator used in TM-2000™ Press, and ATP-301 Air Crimping Press for Mylar Tape Mounted Terminals	0192880038
Mini-Mac™ Applicator	0638851400

This document was generated on 04/12/2010

PLEASE CHECK WWW.MOLEX.COM FOR LATEST PART INFORMATION

MATERIAL NO.	ENG. NO.	MATERIAL NUMBER TAPE MOUNTED	ENG. NO. TAPE MOUNTED	STUD SIZE	"S" ±.005/.127	"K" REF DIA	WIRE RANGE AWG / MM ²	INSULATION COLOR	I.D. MIN	MWID
190770001	SRA-829-06	190770002	SRA-829-06T	6	.146 (3.71)	.236 (5.99)	22-18/.25-1.3	RED	.062/1.57	.138/3.51
190770005	SRA-829-08	190770006	SRA-829-08T	8	.173 (4.39)	.263 (6.68)				
190770007	SRA-829-10	190770008	SRA-829-10T	10	.198 (5.03)	.288 (7.32)				
190770015	SRB-829-06	190770016	SRB-829-06T	6	.146 (3.71)	.236 (5.99)	16-14/1.0-2.6	BLUE	.086/2.18	.169/4.29
190770017	SRB-829-08	190770018	SRB-829-08T	8	.173 (4.39)	.263 (6.68)				
190770019	SRB-829-10	190770020	SRB-829-10T	10	.198 (5.03)	.288 (7.32)				



SALES DRAWING

NOTES:

- MATERIAL: BRASS.
PLATING: ELECTROPLATE TIN.
- FERRULE: BRASS ELECTROPLATE TIN.
PLATING: ELECTROPLATE TIN.
- INSULATION: NYLON.
- MWID=MAXIMUM WIRE INSULATION DIA.
- ALL DIMENSIONS IN INCHES (MM).

EC NO: ETC2004-0126 DRWN:DMYRICK 2004/01/06 CHKD:SBEITZEL 2004/01/06 APPR:RDEROSS 2004/01/07	QUALITY SYMBOLS ▽ = 0 ▽ = 0	GENERAL TOLERANCES (UNLESS SPECIFIED)		SCALE NTS	DESIGN UNITS INCH	THIRD ANGLE PROJECTION	REVISE ON CAD ONLY
		4 PLACES ± --- ± ---	3 PLACES ± --- ± .005	2 PLACES ± 0.13 ± .01	1 PLACE ± 0.25 ± ---	DIMENSION STYLE IN/MM	TITLE AVIKRIMP STAR RING TONGUE TERMINALS
B	DESCRIPTION	ANGULAR ±1/2°		DRAWN BY DMYRICK	DATE 03/12/22	MOLEX INCORPORATED	
		DRAFT WHERE APPLICABLE MUST REMAIN WITHIN DIMENSIONS		CHECKED BY SBEITZEL	DATE 03/12/22	MATERIAL NO. SEE CHART	DOCUMENT NO. SD-19077-001
THIS DRAWING CONTAINS INFORMATION THAT IS PROPRIETARY TO MOLEX INCORPORATED AND SHOULD NOT BE USED WITHOUT WRITTEN PERMISSION							